

THE PLUMB LINE

Fall



3" Vent Stack/ Stack Vent

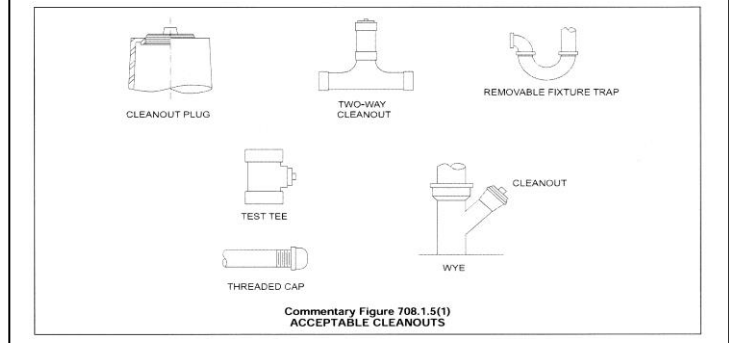
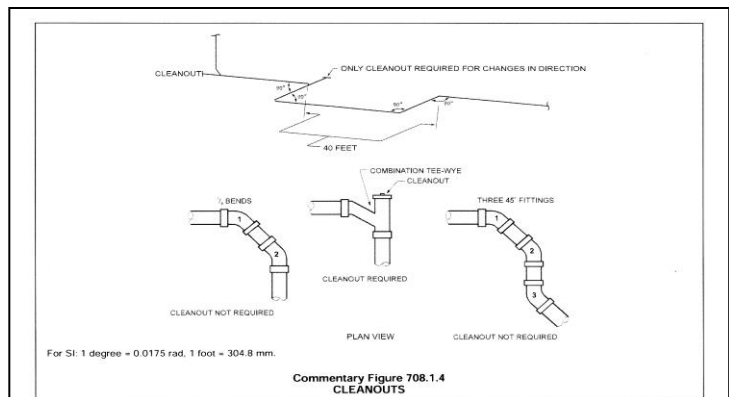
904.1.2 Size. The required vent shall be sized in accordance with Section 906.2 based on the required size of the *building drain*. Every plumbing system shall have at least one 2-inch (51mm) vent running undiminished in size as directly as possible to the open air.

With the adoption of the 2018 code, the 3" minimum vent is no longer required in all plumbing systems. The new code requires that all plumbing systems have at least one 2" vent running undiminished in size as directly as possible to the open air. With this change, emphasis will be required on the need for clean outs.

708.1.1 Horizontal drains and building drains.

Horizontal drainage pipes in buildings shall have cleanouts located at intervals of not more than 100 feet (30 480 mm). *Building drains* shall have cleanouts located at intervals of not more than 100 feet (30 480 mm)

708.1.4 Changes of direction. Where a horizontal Drainage pipe, a *building drain* or a *building sewer* has a change of horizontal direction greater than 45 degrees (0.79 rad), a cleanout shall be installed at the change of direction. Where more than one change of horizontal direction greater than 45 degrees (0.79 rad) occurs within 40 feet (12 192 mm) of *Developed length* of piping, the cleanout installed for the first change of direction shall serve as the cleanout for all changes in direction within that 40 feet (12 192 mm) of *developed length* of piping.



FINES AND PENALTIES

Daryl Dotson Fines of \$15,000.
Kurt Moore Fines of \$4,000.
Aaron Seratt Fines of \$3,000.
Greg Mote Fines of \$3,000.
Zack Street Consent & Fines of \$1,000
Henry Peacock Consent & Fines of \$500
Johnny Martin Consent & Fines of \$3,000
Gary Alderson Consent & Fines of \$500
Andy Scott Consent & Fines \$7000
Chris Whitty Consent & Fines \$2,750
Chris Davenport Consent & Fines \$2,750
Kenny Blevins Fines \$5,000
James Fagan Fines \$1,000
Ed Pollard Fines \$7,500



THE LAW

Arkansas Water Well Construction Commission

3.6.1 General. Any person who contracts for or is engaged in well construction or pump installation shall hold or be employed by a person holding an Arkansas Water Well Contractor License. The Water Well Contractor shall hold the proper license, certificates, and permits for the type of construction engaged and shall meet continuing education requirements as set forth herein.

3.6.2.5 Master plumbers. A Master Plumber holding a valid Master Plumber License may repair or install pressure switches, pressure tanks, valves and pipes at the well head, without holding licenses issued by the Commission. The plumber shall adhere to these regulations for the installation and is not authorized to break the well seal, or alter, cut or drill into the casing.

If you have any questions concerning wells feel free to contact: Jacob Harvey at 501-682-3937 or by email at Jacob.Harvey@arkansas.gov.

The 2018 Arkansas Plumbing Code and the 2018 Arkansas Fuel Gas Code has passed and is now our new code. Having said that, we now have a transitional period. Although the 2018 Code is in effect, we don't have any copies printed. It looks like copies won't be available until the first part of next year. Remember this code is based on ICC code but is not the ICC code. Before you jump in and start using the new code check with your local officials to see how they are handling the changeover. We think this code is a major improvement and will be highlighting some of the changes in the "Plumbline" in this and future issues. Again, if you have questions feel free to contact your state inspector.

